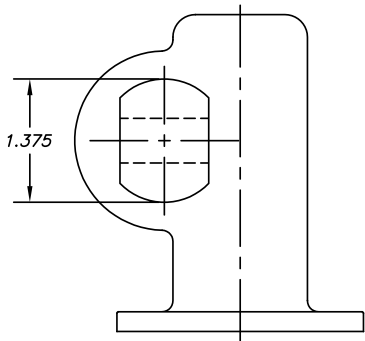
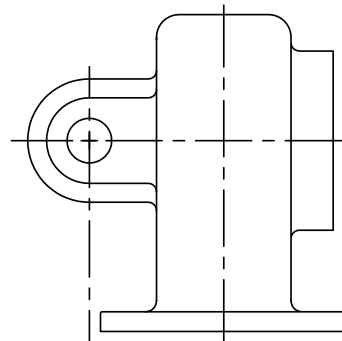


# 85199

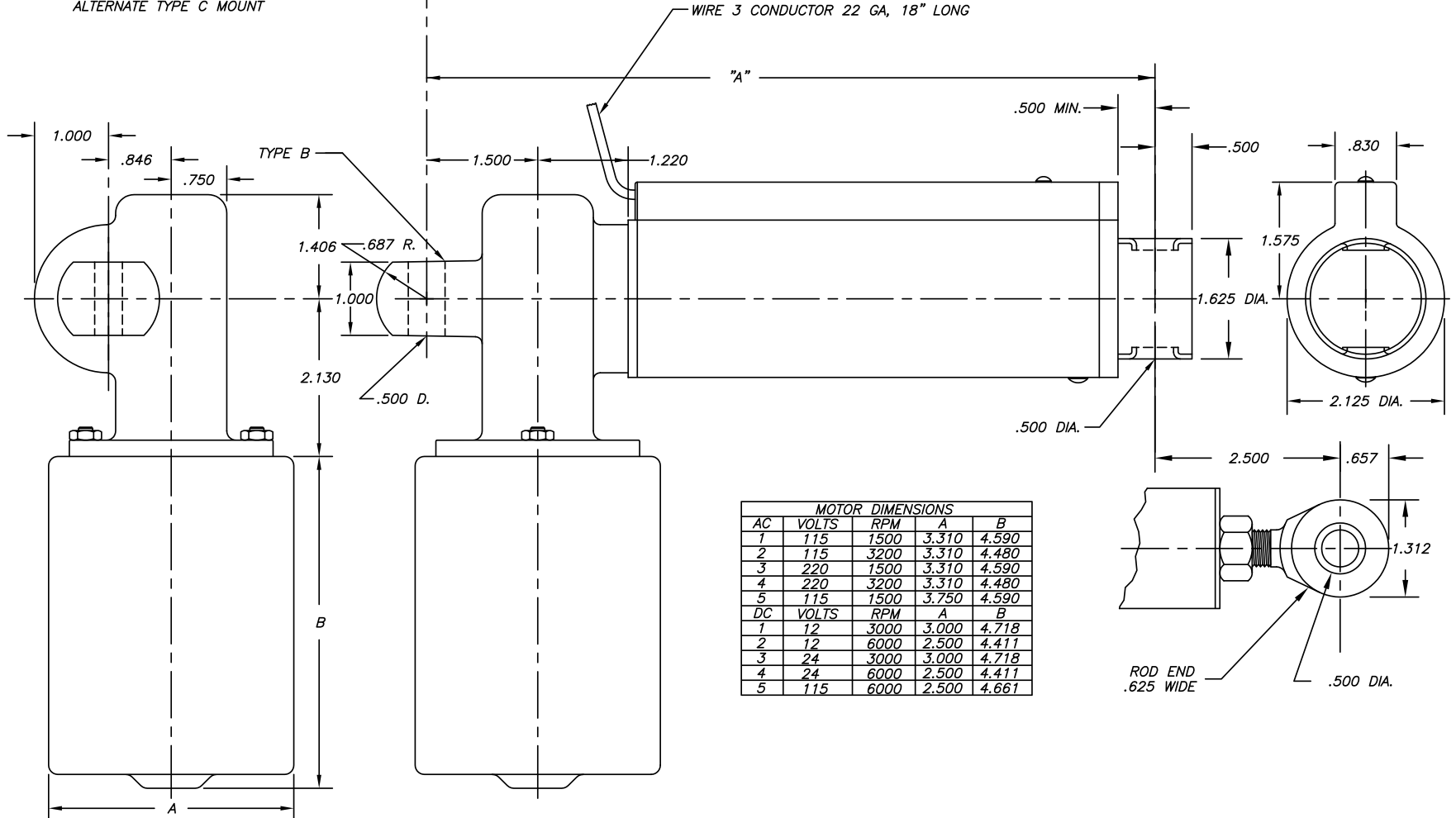
## Potentiometer



ALTERNATE TYPE C MOUNT



"A"	STROKE	RESISTANCE	
		OHMS	LINEARITY
9.000	0+ TO 2"	3K ±20%	±5%
10.000	2+ TO 3"	6K ±20%	±5%
11.000	3+ TO 4"	6K ±20%	±5%
12.000	4+ TO 5"	9K ±20%	±5%
13.000	5+ TO 6"	9K ±20%	±5%
14.000	6+ TO 7"	9K ±20%	±5%
15.000	7+ TO 8"	9K ±20%	±5%
17.000	8+ TO 10"	9K ±20%	±5%
19.000	10+ TO 12"	9K ±20%	±5%
25.000	12+ TO 18"	9K ±20%	±5%



MOTOR DIMENSIONS				
AC	VOLTS	RPM	A	B
1	115	1500	3.310	4.590
2	115	3200	3.310	4.480
3	220	1500	3.310	4.590
4	220	3200	3.310	4.480
5	115	1500	3.750	4.590
DC	VOLTS	RPM	A	B
1	12	3000	3.000	4.718
2	12	6000	2.500	4.411
3	24	3000	3.000	4.718
4	24	6000	2.500	4.411
5	115	6000	2.500	4.661